

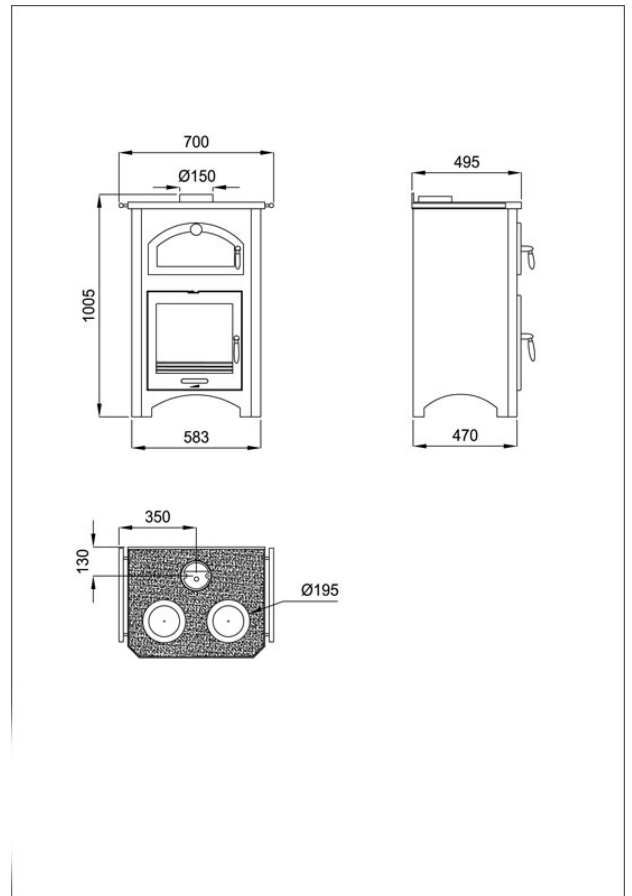
MONZA



 SEH	 SCL						 kW
 70	 3,3	 225					9
				145	390x200x340 390x270x360	50	

Features

- Surround System Oven
- Clean Glass System
- Heating power: 9kw
- Efficiency (%): 70%
- Consumption (kg/h): 3,3kg/h
- Heating capacity (m3): 225m3
- Vermiculite inside
- Manufactured in cast-iron and steel
- Weight (kg): 145kg
- Useful chamber measures: 390x270x360mm
- Useful oven measures: 390x200x340mm
- Maximum logs size (cm): 50cm



Given the continued improvement of our products and improving our manufacturing process, size, aesthetics and product specifications are subject to change without prior notice from our company.

www.bronpi.com



©Bronpi Calefacción, S.L. reserves all rights to the images that appear in this document. You may not reproduce or distribute part or all of the photographs and as the text. Both the brand as distinctive symbols are the exclusive property of the company. Violators will be prosecuted according to law.