

# CAIRO 90

FACILIDAD DE ACCESO A LA TURBINA DESDE LA CÁMARA DE COMBUSTIÓN.  
EASE OF ACCESS TO THE TURBINE FROM THE COMBUSTION CHAMBER.  
FACILIDADE DE ACESSO À TURBINA A PARTIR DA CÁMARA DE COMBUSTÃO.  
FACILITE D'ACCÈS À TURBINE DEPUIS LA CHAMBRE DE COMBUSTION.  
FACILITÀ DI ACCESSO ALLA TURBINA DALLA CAMERA DI COMBUSTIONE.



la excelencia en el fuego



la excelencia en el fuego



TOMA DE AIRE EXTERIOR - MODELO ESTANCO-  
OUTSIDE AIR INTAKE - HERMETIC MODEL-  
TOMADA DE AR EXTERIOR - MODELO ESTANQUE-  
PRESA D'ARIA ESTERIORE - MODELLO ERMETICO-  
PRISE D'AIR EXTERIEURE - MODELE ÉTANCHE-



SDC



SCL



13



81,3



4



325



Kit Vermiculite: 150 Kit Ceramic: 160



kg



Ø



2x120



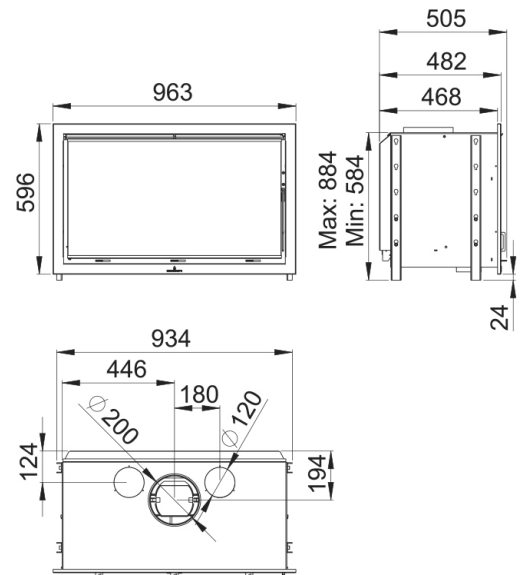
780x260x318



80

## Features

- Double Combustion System
- Clean Glass System
- Heating power: 13kw
- Efficiency (%): 81,3%
- Consumption (kg/h): 4kg/h
- Heating capacity (m3): 325m3
- Manufactured in cast-iron and steel
- Weight (kg): Kit Vermiculite: 150kg Kit Ceramic: 165kg
- Smoke exit tube diameter (mm): 200mm
- Air channel (diameter and exit tube number): 2x120
- Useful chamber measures: 780x260x318mm
- Maximum logs size (cm): 80cm



Given the continued improvement of our products and improving our manufacturing process, size, aesthetics and product specifications are subject to change without prior notice from our company.

[www.bronpi.com](http://www.bronpi.com)

