

CAIRO 90

FACILIDAD DE ACCESO A LA TURBINA DESDE LA CÁMARA DE COMBUSTIÓN.
EASE OF ACCESS TO THE TURBINE FROM THE COMBUSTION CHAMBER.
FACILIDADE DE ACESSO À TURBINA A PARTIR DA CÁMARA DE COMBUSTÃO.
FACILITE D'ACCÈS À TURBINE DEPUIS LA CHAMBRE DE COMBUSTION.
FACILITÀ DI ACCESSO ALLA TURBINA DALLA CAMERA DI COMBUSTIONE.



la excelencia en el fuego



la excelencia en el fuego



TOMA DE AIRE EXTERIOR - MODELO ESTANCO-
OUTSIDE AIR INTAKE - HERMETIC MODEL-
TOMADA DE AR EXTERIOR - MODELO ESTANQUE-
PRESA D'ARIA ESTERIORE - MODELLO ERMETICO-
PRISE D'AIR EXTERIEURE - MODELE ÉTANCHE-



SDC



SCL



13



81,3



4



325



Kit Vermiculite: 150 Kit Ceramic: 160



160



200



2x120



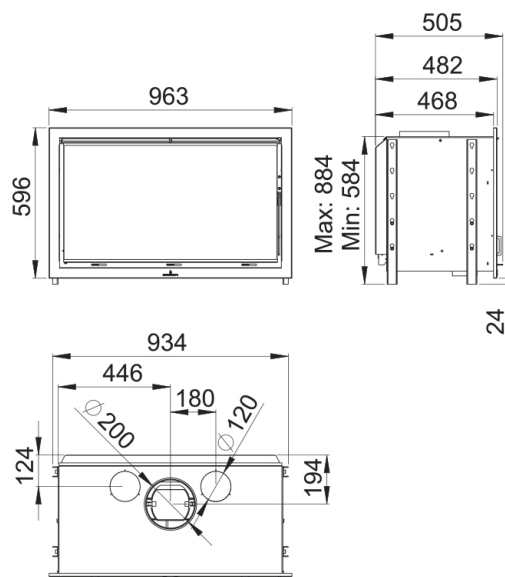
780x260x318



80

Features

- Double Combustion System
- Clean Glass System
- Heating power: 13kw
- Efficiency (%): 81,3%
- Consumption (kg/h): 4kg/h
- Heating capacity (m3): 325m3
- Manufactured in cast-iron and steel
- Weight (kg): Kit Vermiculite: 150kg Kit Ceramic: 165kg
- Smoke exit tube diameter (mm): 200mm
- Air channel (diameter and exit tube number): 2x120
- Useful chamber measures: 780x260x318mm
- Maximum logs size (cm): 80cm



Given the continued improvement of our products and improving our manufacturing process, size, aesthetics and product specifications are subject to change without prior notice from our company.

www.bronpi.com



la excelencia en el fuego