

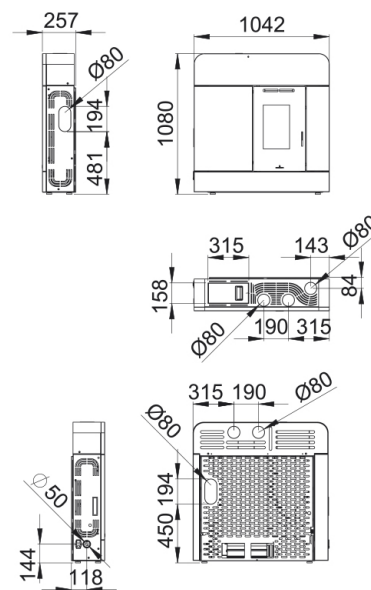
# DORA



KIT WIFI, CANALIZATION KIT

## Features

- CANALIZATION KIT OPTIONAL
- Oasys Plus
- Double Chamber System
- Clean Glass System
- Modulation System
- Model designed for easy access to maintenance service
- Model Compatible with Kit Wifi
- Programmable
- Flame anti-return system
- Option of upper or rear channelling
- Power max: 11kw
- Power max-min: 10-5kw
- Efficiency (%): 91-92%
- Consumption min-max. (kg/h): 1,2-2,3 kg/h
- Power consumption (W): 65-300W
- Heating capacity (m3): 250m3
- Tank capacity (Kg): 18kg
- Metallic interior
- Cast-iron burner
- Autonomy (h) (min-max): 7,8-15h
- Weight (kg): 129kg
- Fume outlet diameter (mm): 80mm
- Air inlet diameter (mm): 50mm
- Forced ventilation: 1x380



Given the continued improvement of our products and improving our manufacturing process, size, aesthetics and product specifications are subject to change without prior notice from our company.

[www.bronpi.com](http://www.bronpi.com)



## Features

- Possibility of upper, rear or side smoke outlet
- Remote control or switchboard
- Hermetic tank
- S1:Security systems: Safety thermostat pellet, Air flow switch
- Compatible accesories not included: KIT WIFI, CANALIZATION KIT