

# MURANO-E



**BRONPI**  
la excelencia en el fuego

OPCIONAL KIT-INOX-2: KIT CON REVESTIMIENTO INTERIOR PARA EL HORNO EN ACERO INOXIDABLE.  
OPTIONAL KIT-INOX-2: KIT FOR STAINLESS STEEL OVEN INTERIOR.  
KIT-INOX-2 OPCIONAL: KIT PARA FORNO, COM REVESTIMENTO INTERIOR.  
OPZIONALE KIT-INOX-2: KIT CON RIVESTIMENTO INTERNO PER IL FORNO IN ACCIAIO INOX.  
OPTIONNEL KIT-INOX-2: KIT AVEC REVÊTEMENT INTÉRIEUR POUR LE FOUR EN ACIER INOXYDABLE.

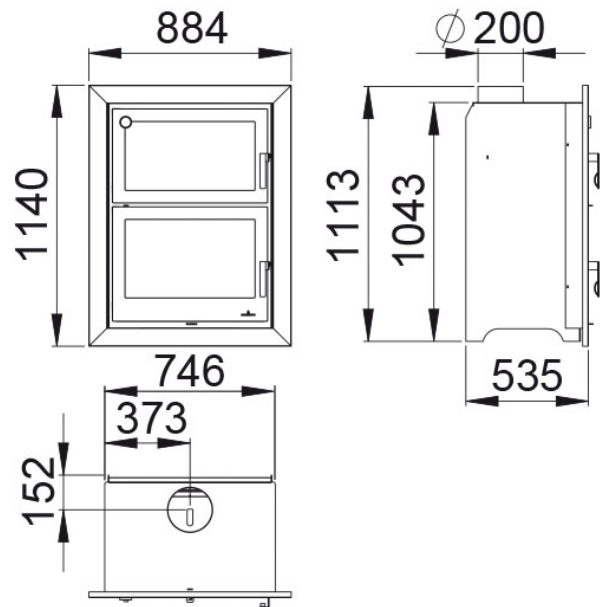


**BRONPI**  
la excelencia en el fuego

 SDC	 SCL	 SEH								 kW
 80	 4,1	 350							14	

## Features

- Double Combustion System
- Clean Glass System
- Surround System Oven
- Heating power: 14kw
- Efficiency (%): 80%
- Consumption (kg/h): 4,1kg/h
- Heating capacity (m3): 350m3
- Vermiculite inside
- Manufactured in cast-iron and sheet
- Weight (kg): 176kg
- Smoke exit tube diameter (mm): 200mm
- Useful chamber measures: 610x301x417mm
- Useful chamber measures: 610x333x404mm
- Maximum logs size (cm): 62cm



Given the continued improvement of our products and improving our manufacturing process, size, aesthetics and product specifications are subject to change without prior notice from our company.

[www.bronpi.com](http://www.bronpi.com)



©Bronpi Calefacción, S.L. reserves all rights to the images that appear in this document. You may not reproduce or distribute part or all of the photographs and as the text. Both the brand as distinctive symbols are the exclusive property of the company. Violators will be prosecuted according to law.