

# MURANO-R



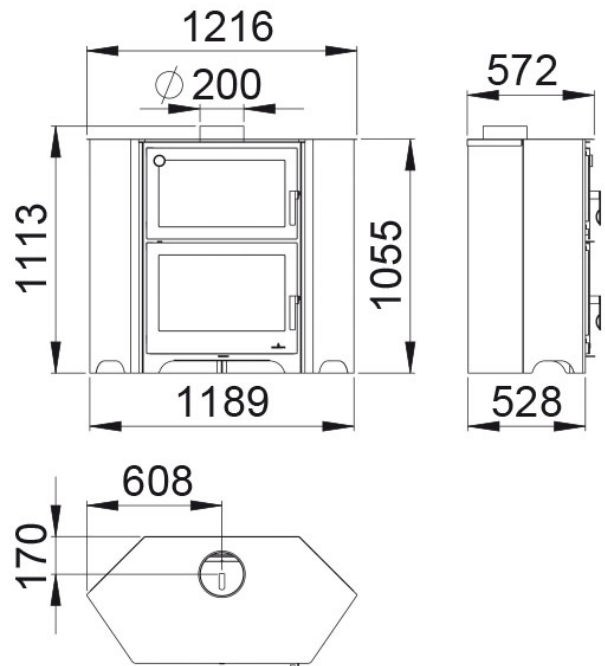
OPCIONAL KIT-INOX-2: KIT CON REVESTIMIENTO INTERIOR PARA EL HORNO EN ACERO INOXIDABLE.  
 OPTIONAL KIT-INOX-2: KIT FOR STAINLESS STEEL OVEN INTERIOR.  
 KIT-INOX-2 OPCIONAL: KIT PARA HORNO, COM REVESTIMENTO INTERIOR.  
 OPZIONALE KIT-INOX-2: KIT CON RIVESTIMENTO INTERNO PER IL FORNO IN ACCIAIO INOX.  
 OPTIONNEL KIT-INOX-2: KIT AVEC REVÊTEMENT INTÉRIEUR POUR LE FOUR EN ACIER INOXYDABLE.



SDC	SCL	SEH								14
80	4,1	350	610x301x417	204	200	610x333x404	62			

## Features

- Sistema de Doble Combustión
- Sistema de Cristal Limpio
- Sistema Envoltente Horno
- Heating power: 14kw
- Efficiency (%): 80%
- Consumption (kg/h): 4,1kg/h
- Heating capacity (m3): 350m3
- Vermiculite inside
- Manufactured in cast-iron and sheet
- Weight (kg): 204kg
- Smoke exit tube diameter (mm): 200mm
- Useful chamber measures: 610x301x417mm
- Useful chamber measures: 610x333x404mm
- Maximum logs size (cm): 62cm



Given the continued improvement of our products and improving our manufacturing process, size, aesthetics and product specifications are subject to change without prior notice from our company.

[www.bronpi.com](http://www.bronpi.com)

