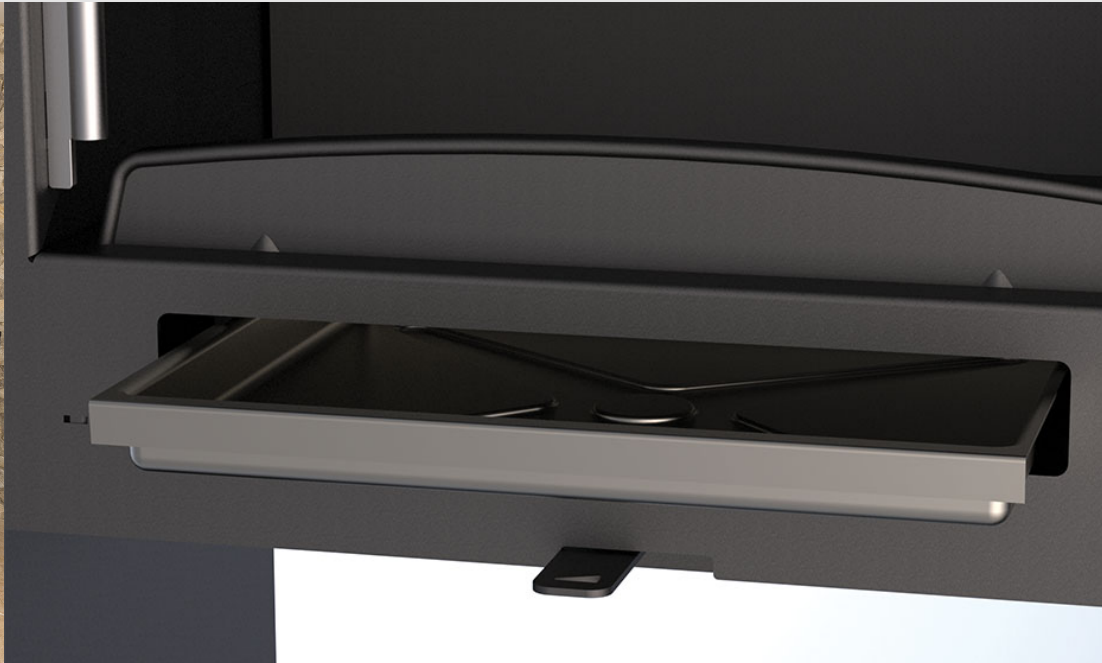


# CROACIA-T



SDC



SCL



9



77



2,74



225



110



150



1x225



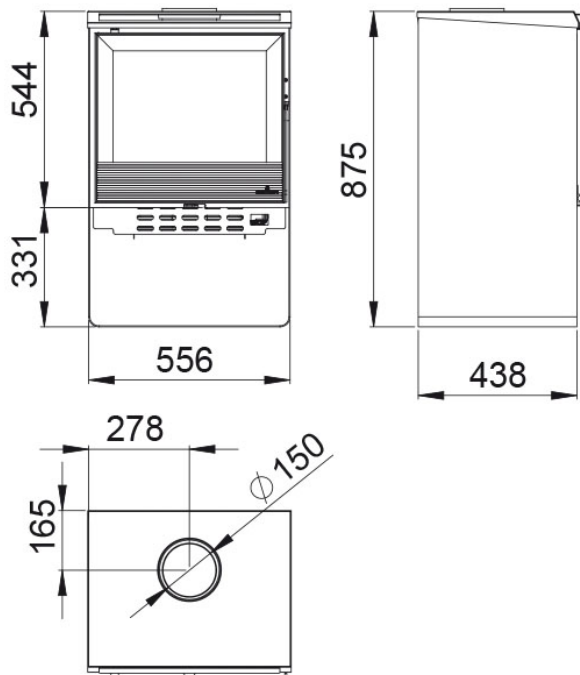
447x306x286



47

## Features

- Double Combustion System
- Clean Glass System
- Heating power: 9kw
- Efficiency (%): 77%
- Consumption (kg/h): 2,74kg/h
- Heating capacity (m3): 225m3
- Cast-iron interior
- Manufactured in cast-iron and steel
- Weight (kg): 110kg
- Smoke exit tube diameter (mm): 150mm
- Forced ventilation (n° x m3): 1x225
- Useful chamber measures: 447x306x286mm
- Maximum logs size (cm): 47cm



Given the continued improvement of our products and improving our manufacturing process, size, aesthetics and product specifications are subject to change without prior notice from our company.

[www.bronpi.com](http://www.bronpi.com)



©Bronpi Calefacción, S.L. reserves all rights to the images that appear in this document. You may not reproduce or distribute part or all of the photographs and as the text. Both the brand as distinctive symbols are the exclusive property of the company. All rights reserved.