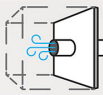


# PARIS 90-E / PARIS 90-E VISION



OPCIONAL KIT-AIR2: KIT CON TOMA DE AIRE EXTERNO. PARA CONVERTIR EN ESTANCO.  
 OPTIONAL KIT-AIR2: KIT WITH EXTERNAL AIR INTAKE. FOR HERMETIC SYSTEM.  
 KIT-AIR2 OPCIONAL: KIT COM ENTRADA DE AR EXTERIOR. PARA PASSAR A ESTANQUE.  
 OPZIONALE KIT-AIR2: KIT CON PRESA DI ARIA ESTERNA. PER RENDERLO STAGNO.  
 OPTIONNEL KIT-AIR2: KIT AVEC PRISE D'AIR EXTERNE. POUR LE TRANSFORMER EN ÉTANCHE.



SILENCIOSA  
 NOISELESS  
 SILENCIOSA  
 SILENCIEUX  
 SILENZIOSA

POSIBILIDAD DE DESCONEXIÓN DE LA TURBINA.  
 POSSIBILITY OF TURNING OFF THE TURBINE.  
 POSSIBILIDADE DE DESCONEXÃO DA TURBINA.  
 POSSIBILITÉ DE DÉCONNECTER LA TURBINE.  
 POSSIBILITÀ DI DISCONNESSIONE DELLA TURBINA.



la excelencia en el fuego

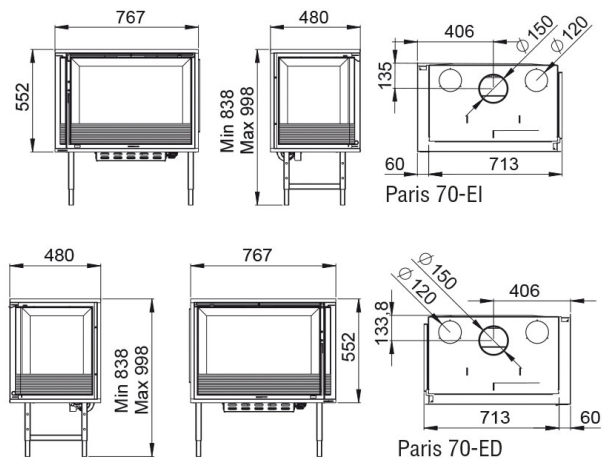


la excelencia en el fuego

SDC	SCL								14,5
77	4	350		165	200	2x120	1x335	780x306x286	77

## Features

- Double Combustion System
- Clean Glass System
- Heating power: 14,5kw
- Efficiency (%): 77%
- Consumption (kg/h): 4kg/h
- Heating capacity (m3): 350m3
- Cast-iron interior
- Manufactured in cast-iron and sheet
- Weight (kg): 165kg
- Smoke exit tube diameter (mm): 200mm
- Air channel (diameter and exit tube number): 2x120
- Forced ventilation: 1x335
- Useful chamber measures: 780x306x286mm
- Maximum logs size (cm): 77cm



Given the continued improvement of our products and improving our manufacturing process, size, aesthetics and product specifications are subject to change without prior notice from our company.

[www.bronpi.com](http://www.bronpi.com)

