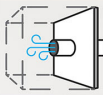


PARIS 70-E / PARIS 70-E VISION



OPCIONAL KIT-AIR2: KIT CON TOMA DE AIRE EXTERNO. PARA CONVERTIR EN ESTANCO.
 OPTIONAL KIT-AIR2: KIT WITH EXTERNAL AIR INTAKE. FOR HERMETIC SYSTEM.
 KIT-AIR2 OPCIONAL: KIT COM ENTRADA DE AR EXTERIOR. PARA PASSAR A ESTANQUE.
 OPZIONALE KIT-AIR2: KIT CON PRESA DI ARIA ESTERNA. PER RENDERLO STAGNO.
 OPTIONNEL KIT-AIR2: KIT AVEC PRISE D'AIR EXTERNE. POUR LE TRANSFORMER EN ÉTANCHE.



SILENCIOSA
NOISELESS
SILENCIOSA
SILENCIEUX
SILENZIOSA

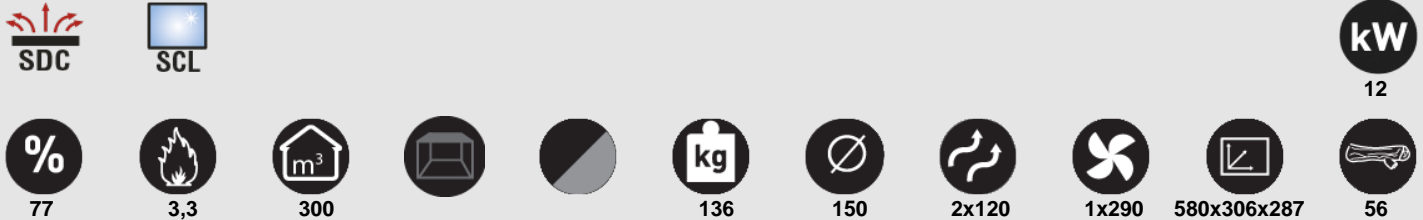
POSIBILIDAD DE DESCONEXIÓN DE LA TURBINA.
 POSSIBILITY OF TURNING OFF THE TURBINE.
 POSSIBILIDADE DE DESCONEXÃO DA TURBINA.
 POSSIBILITÉ DE DÉCONNECTER LA TURBINE.
 POSSIBILITÀ DI DISCONNESSIONE DELLA TURBINA.



la excelencia en el fuego



la excelencia en el fuego



kW

12

77

3,3

300

136

150

2x120

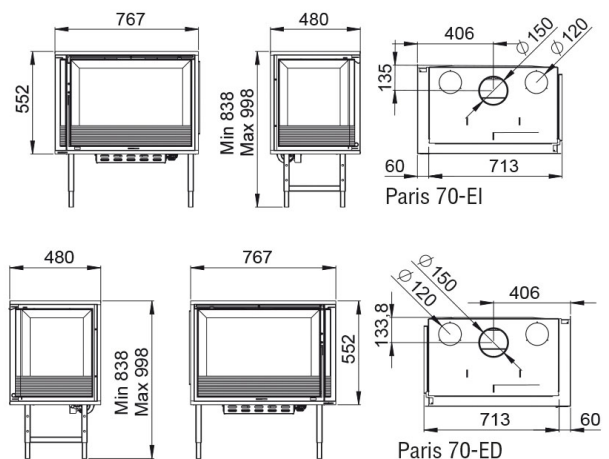
1x290

580x306x287

56

Features

- Double Combustion System
- Clean Glass System
- Heating power: 12kw
- Efficiency (%): 77%
- Consumption (kg/h): 3,3kg/h
- Heating capacity (m3): 300m3
- Cast-iron interior
- Manufactured in cast-iron and sheet
- Weight (kg): 136kg
- Smoke exit tube diameter (mm): 150mm
- Air channel (diameter and exit tube number): 2x120
- Forced ventilation: 1x290
- Useful chamber measures: 580x306x287mm
- Maximum logs size (cm): 55cm



Given the continued improvement of our products and improving our manufacturing process, size, aesthetics and product specifications are subject to change without prior notice from our company.

www.bronpi.com

