

# LONDRES-T-VISION



SDC



SCL



ZZ



SBE



kW

21



76



6,4



525



191



200



4x120



860x270x380



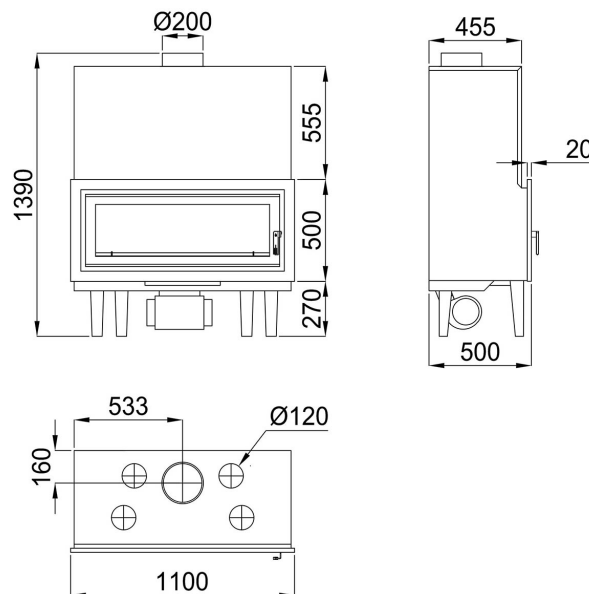
85



M-7-V M-8-V M-9-V M-10-V

## Features

- Double Combustion System
- Clean Glass System
- Noiseless
- Low Emissions System
- Heating power: 21kw
- Efficiency (%): 76%
- Consumption (kg/h): 6,4kg/h
- Heating capacity (m3): 525m3
- Vermiculite inside
- Manufactured in cast-iron and steel
- Weight (kg): 191kg
- Smoke exit tube diameter (cm): 200cm
- Air channel (diameter and exit tube number): 4x120
- Useful chamber measures: 860x270x380mm
- Maximum logs size (cm): 85cm
- Compatible accesories not included: M-7-V; M-8-V; M-9-V; M-10-V



Given the continued improvement of our products and improving our manufacturing process, size, aesthetics and product specifications are subject to change without prior notice from our company.

[www.bronpi.com](http://www.bronpi.com)

