

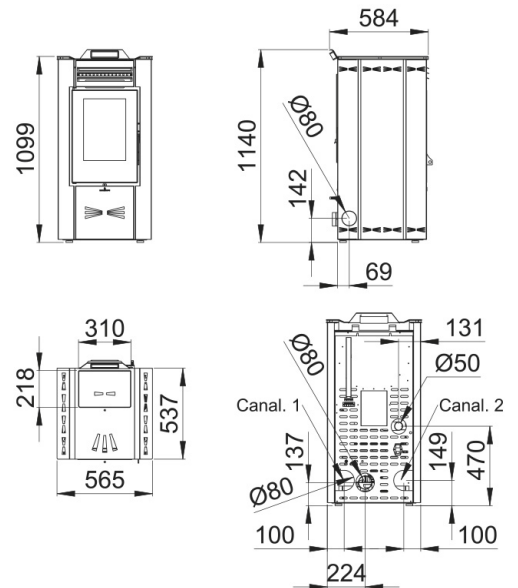
EVA-NC



					KIT WIFI CANALIZATION KIT				

Features

- CANALIZATION KIT OPTIONAL
- Fast On
- Oasys Plus
- Double Chamber System
- Clean Glass System
- Modulation System
- Model designed for easy access to maintenance service
- Model Compatible with Kit Wifi
- Programmable
- Power max: 14,3kw
- Power max-min: 13-6 Kw
- Efficiency (%): 92-94%
- Consumption max-min (kg/h): 3-1,4kg/h
- Electric power (W): 70-300W
- Heating capacity (m3): 325m3
- Tank capacity (Kg): 22kg
- Cast-iron interior
- Cast-iron burner
- Autonomy (h) (min-max): 7,5-16h
- Weight (kg): 147kg
- Smoke exit tube diameter (mm): 80mm
- Air inlet tube diameter (mm): 50mm
- Option of side or rear channelling.
- Forced ventilation: 1x430



Given the continued improvement of our products and improving our manufacturing process, size, aesthetics and product specifications are subject to change without prior notice from our company.

www.bronpi.com



Features

- Remote control or switchboard
- S1:Security systems: Safety thermostat pellet, Air flow switch
- Compatible accesories not included:KIT WIFI, CANALIZATION KIT