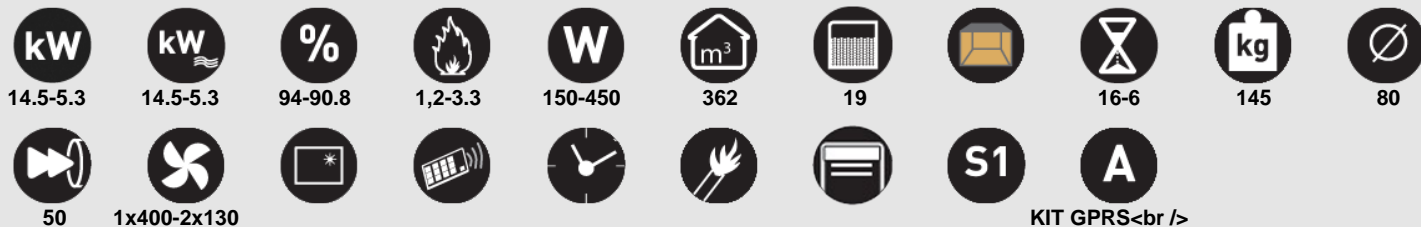
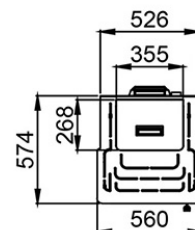
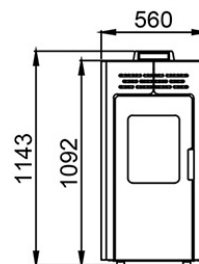
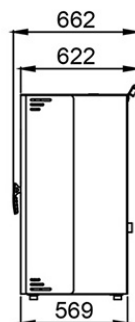
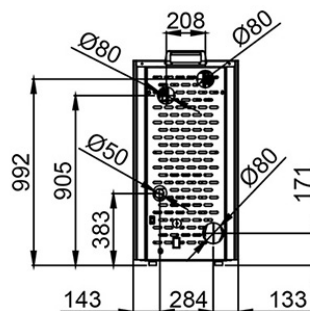


SARA-NC



Features

- Power min-max: 14.5-5.3kw
- Power transferred to the air (kW) max-min: 14.5-5.3kw
- Efficiency (%): 94-90.8%
- Consumption min-max. (kg/h): 1,2-3,3kg/h
- Power consumption (W): 150-450W
- Heating capacity (m3): 362m3
- Tank capacity (Kg): 19kg
- Cast-iron interior
- Autonomy (h) (min-max): 16-6h
- Weight (kg): 145kg
- Fume outlet diameter (mm): 80mm
- Air inlet diameter (mm): 50mm
- Forced ventilation: 1x400-2x130
- Clean glass system
- Remote control or switchboard
- Weekly programmer
- Automatic ignition
- Hermetic tank
- S1: Security systems: Safety thermostat pellet, Air flow switch
- Compatible accesories not included: KIT GPRS



Given the continued improvement of our products and improving our manufacturing process, size, aesthetics and product specifications are subject to change without prior notice from our company.

www.bronpi.com



la excelencia en el fuego