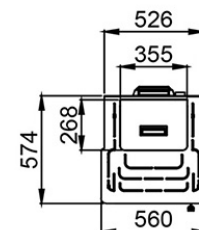
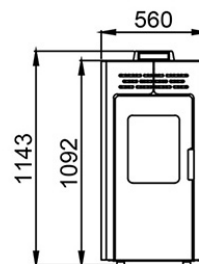
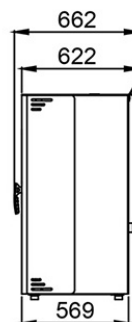
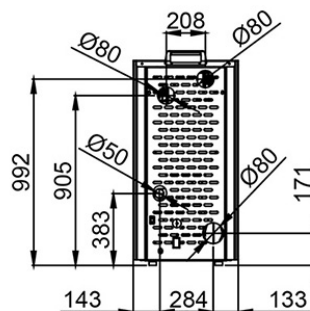


# SARA



## Features

- Power min-max: 14.5-5.3kw
- Power transferred to the air (kW) max-min: 14.5-5.3kw
- Efficiency (%): 94-90.8%
- Consumption min-max. (kg/h): 1,2-3,3kg/h
- Power consumption (W): 150-450W
- Heating capacity (m3): 362m3
- Tank capacity (Kg): 19kg
- Cast-iron interior
- Autonomy (h) (min-max): 16-6h
- Weight (kg): 145kg
- Fume outlet diameter (mm): 80mm
- Air inlet diameter (mm): 50mm
- Air channeling (diameter and outlet number): 2x80
- Forced ventilation: 1x400-2x130
- Clean glass system
- Remote control or switchboard
- Weekly programmer
- Automatic ignition
- Hermetic tank
- S1: Security systems: Safety thermostat pellet, Air flow switch
- Compatible accesories not included: KIT GPRS



Given the continued improvement of our products and improving our manufacturing process, size, aesthetics and product specifications are subject to change without prior notice from our company.

[www.bronpi.com](http://www.bronpi.com)



la excelencia en el fuego