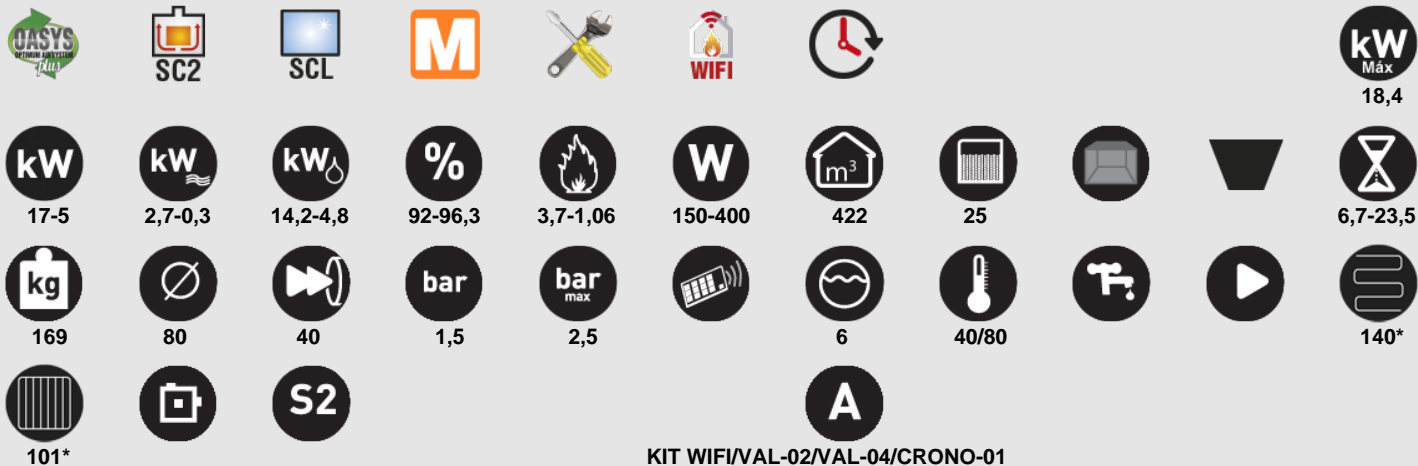


CLARA HYDRO

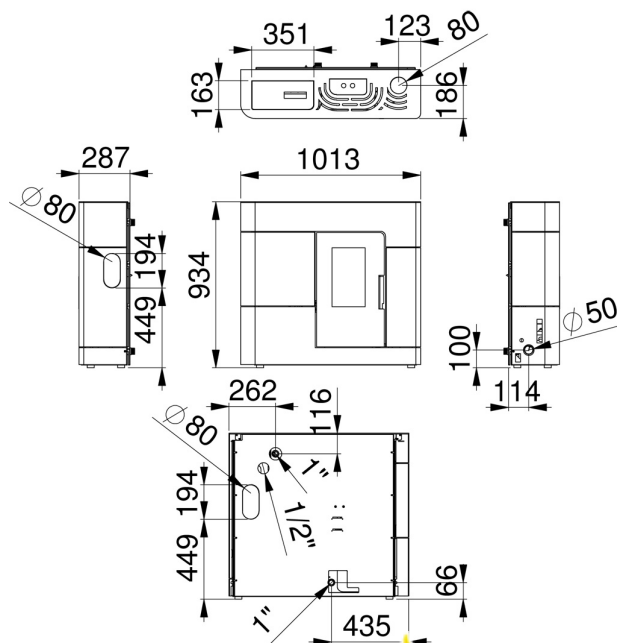
GESTIÓN DE CALEFACCIÓN Y ACS.
MANAGEMENT OF HEATING AND SANITARY HOT WATER.
GESTÃO DO AQUECIMENTO CENTRAL E DAS AQS.
GESTIONE DI RISCALDAMENTO E ACQUA CALDA SANITARIA.
GESTION DU CHAUFFAGE ET D'EAU CHAUDE SANITAIRE.



KIT WIFI/VAL-02/VAL-04/CRONO-01

Features

- Oasys Plus
- Double Chamber System
- Clean Glass System
- Modulation System
- Model designed for easy access to maintenance service
- Model Compatible with Kit Wifi
- Programmable
- Power max: 18,4kw
- Power max-min: 17-5kw
- Power transferred to the air max-min: 2,7-0,3kw
- Power transferred to the water max-min: 14,2-4,8kw
- Efficiency : 92-96,3%
- Consumption max-min : 3,7-1,06kg/h
- Electric power : 150-400W
- Heating capacity: 422m3
- Tank capacity: 25 kg
- Metallic interior
- Cast-iron burner
- Autonomy (min-max): 6,7-23,5h
- Weight: 169kg



Given the continued improvement of our products and improving our manufacturing process, size, aesthetics and product specifications are subject to change without prior notice from our company.

www.bronpi.com



Features

- Smoke exit tube diameter: 80mm
- Air inlet tube diameter: 40mm
- Working pressure: 1,5bar
- Working maximum pressure: 2,5bar
- Remote control or switchboard
- Closed expansion vessel: 6 l
- Maximum service temperature:80°C
- Valve for drinking water
- Circulating pump
- Underfloor heating: 140*(m2)
- N° radiator elements: 101*
- Possibility of upper, rear or side smoke outlet
- Security system: S2. Safety thermostat pellet, Safety thermostat water, Air flow switch, Safety valve 3 bar, Pressure setting valve
- Compatible accessories not included: KIT WIFI/VAL-02/VAL-04/CRONO-01
- * The calculation of radiators and underfloor heating has been determined according to normal conditions of a house insulation, located in a temperate zone. Aluminium radiator elements have been considered with a height of 60cm and a temperature difference of 50°, 120 kcal/element. Check characteristics (power) of the radiator.

Given the continued improvement of our products and improving our manufacturing process, size, aesthetics and product specifications are subject to change without prior notice from our company.

www.bronpi.com

